

## Portable concrete pumps PC907/612 58

### Description

A complete range, whether on small job sites, shotcrete pumping or big civil works.

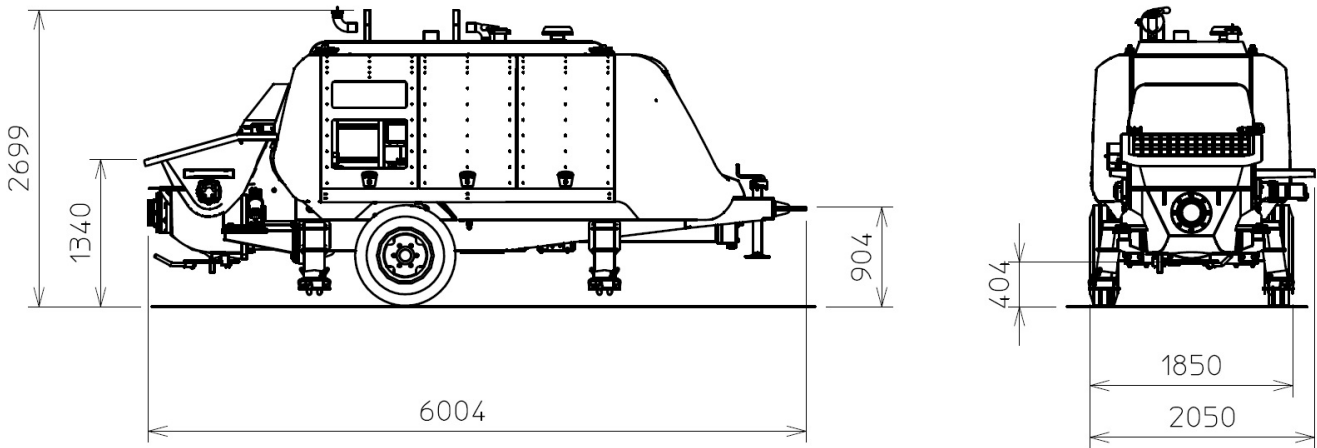
In every situation, these pumps all have the basic characteristics of stability, low running costs and pumping consistency.

Available in diesel or electric version.

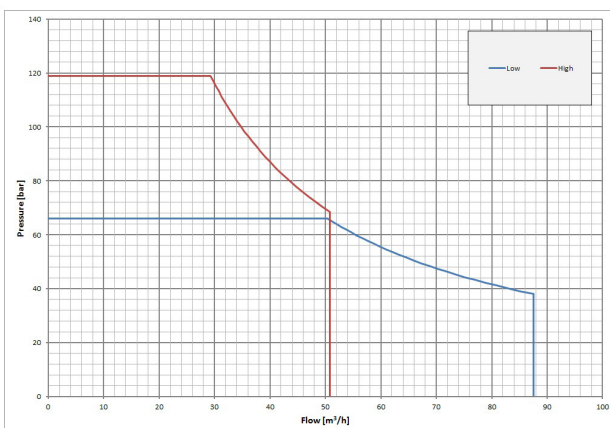
All pumps are provided with excellent standard supply, complete with a wide choice of accessories which determine their versatility, making them ideal for work on big job-sites outside town and in town centres.



### Dimensions and performance diagrams



PC 907/612 DE-E8



# Portable concrete pumps

## PC907/612 S8

### Main features

The Cifa portable concrete pump series offers a wide range of models which satisfy the various needs of concrete pumping and handling both in tunnels and above ground, over long distances and at considerable heights.

The Cifa original pumping unit presents characteristics of resistance, long life and exceptional performances with any type of concrete.

All have a rigid monoaxle trailer complete with drawbar, four manual adjustable outriggers and two rubber wheels.

The power source is provided by separate engine (Diesel or Electric). The main pump is an axial piston type with variable flow and constant power; gear pump is used for auxiliary services.

- 'S' shaped valve for any type of concrete, with special steel and different thicknesses
- Rapid valve exchange
- Ideal operation even at high pressures with continuous and smooth pumping flow
- Automatic wear compensation
- Hydraulic system in open circuit
- Transformation of the pumping units from high to low pressure or viceversa
- Low noise
- Low running costs
- Easy maintenance and quick cleaning operations
- Machines can work up to -25°

### Standard equipment

- Electric vibrator on the hopper grid
- Deutz engine:
  - PC 907/612 Step 3 A power 130 kW
  - PC907/612 Step IV Final 130 kW
- Rigid monoaxle trailer
- Drawbar
- N° 4 manual outriggers
- Concrete outlet piping with bend and counterbend reduction device up to 5"
- Hydraulically driven water pump 50 l/min - 50 bar
- Concrete flow rate regulator on board
- Washing pipe complete with nozzle
- Connection flange for washing
- N° 2 sponge rubber balls
- Remote control with 20m cable
- Acoustic signal for diesel engine breakdown
- Two colours CIFA painting (orange and grey)

### Optionals

- Multistage centrifugal water pump (300 l/min - 20 bar)
- Hydraulically controlled air compressor, bicilindrical, two-stage capacity 450 l/min intaken, max. pressure 15 bar, complete with accessories, stopballs cage and stub pipe
- Stopballs cage and stub pipe diam. 5.5" with joint

### Technical data

Model		PC 907	PC 612
Drive power D/E	kW	130/110	130/110
Max. theoretical output	m <sup>3</sup> /h	87	51
Max. pressure on concrete	bar	66	119
Max. number of cycles per minute		26	15
Concrete cylinders (diam. x stroke)	mm	200x1800	200x1800
Concrete hopper capacity	l	500	500
Rod side drive □ / Piston side drive ◆		□	◆

Technical data and characteristics subject to modifications without notice