

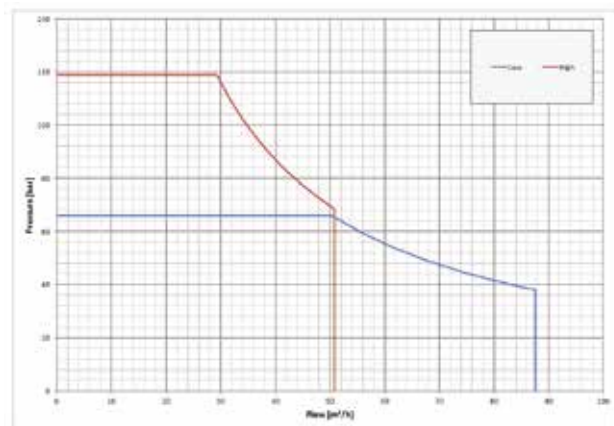
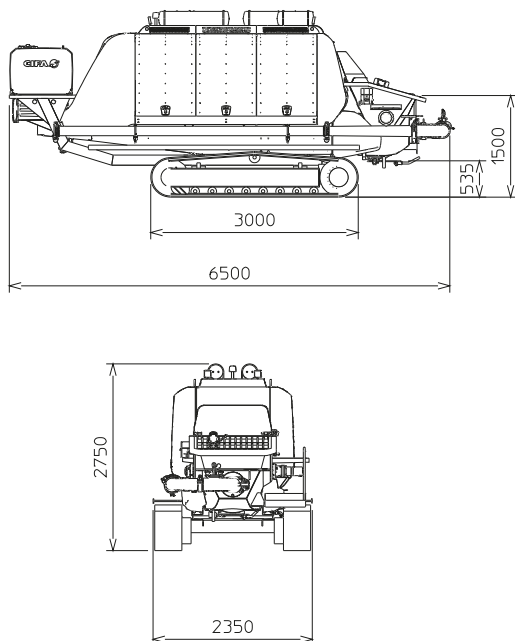
PCC907/612 58



Description

A complete range, whether on small job sites, shotcrete pumping or big civil works. In every situation, these pumps offer stability, low running costs and steady flow. All pumps are provided with excellent standard supply, complete with a wide choice of accessories for versatility, making them ideal for every type of jobsite.

Dimensions and performance Diagrams





PCC907/612 58

Main features

The Cifa portable concrete pump series offers a wide range of models which satisfy the various needs of concrete pumping and handling both in tunnels and above ground, over long distances and at considerable heights. The Cifa original pumping unit presents characteristics of resistance, long life and exceptional performances with any type of concrete. All have a rigid monoaxle trailer complete with drawbar, four manual adjustable outriggers and two rubber wheels. The power source is provided by separate engine (Diesel or Electric). The main pump is an axial piston type with variable flow and constant power; gear pump is used for auxiliary services.

S-valve for any type of concrete, made of special steel and different thicknesses

Rapid valve exchange

Ideal operation even at high pressures with continuous and smooth pumping flow

Automatic wear compensation

Hydraulic system in open circuit

Transformation of the pumping units from high to low pressure or vice versa

Low noise

Low operating costs

Easy maintenance and quick cleaning operations

Machines can work up to -25°

Technical data

MODEL		PCC 907	PCC 612
Drive power D	kW	130	130
Max. theoretical output	m ³ /h	87	51
Max. pressure on concrete	bar	66	119
Max. number of cycles per minute		26	15
Concrete cylinders (diam. x stroke)	mm	200 x 1800	200 x 1800
Concrete hopper capacity	l	500	500
Rod side drive □ / Piston side drive ◆		□	◆

Technical data and characteristics subject to modifications without notice

Standard equipment

Engine:

- PCC 907/612 D8 - Diesel 6 cyl. Deutz [Stage IIIA] 130 kW
- PCC 907/612 D8 - Diesel 6 cyl. Deutz [Stage V] 130 kW

Crawler mounted

Radio remote control: traction, pumping unit management, lights, diesel engine, shut-off valve

n° 4 led lights and flashing yellow lights

Optical and acoustic warning devices and flashing yellow lights

External plastic water tank, capacity 600 liters

n° 4 air tanks, made of stainless steel, total capacity 250 liters

Concrete outlet piping with bend and counterbend reduction device up to 5"

Plastic tool box

Metal accessories storage bin

Pressure sprayer

Electric vibrator on the hopper grid

Hydraulically driven water pump 50 l/min - 50 bar

Washing pipe complete with nozzle

n° 2 sponge rubber balls

Remote control with 20m cable

Acoustic signal for Diesel auxiliary engine breakdown

Two colours CIFA painting (orange and grey)

Hydraulically controlled air compressor, bicilindrical, two-stage capacity 450 l/min intaken, max. pressure 15 bar, complete with accessories, stopballs cage and stub pipe diam. 5.5"

Plastic folder for transport documents

Optionals

Pad for cleaning and filling concrete pipes